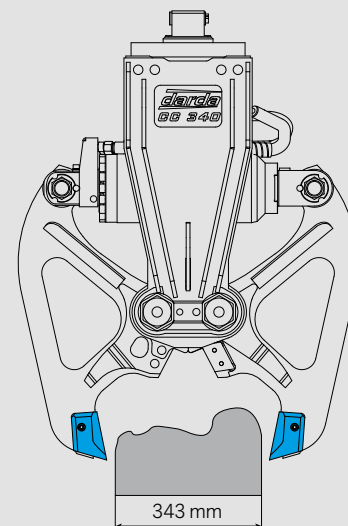


CONCRETE CRUSHER CC340

Flyweight champion



Crusher with standard crushing tips

Specifications | Concrete Crusher CC340

| Dimensions and weight | | |
|---|--------------------|-----------------|
| Length x Width x Height | 877 x 715 x 334 mm | 34 x 28 x 13 in |
| Jaw opening | 343 mm | 14 in |
| Penetration depth, approx. | 174 mm | 7 in |
| Weight ¹ | 150 kg | 330 lb |
| Carriers | | |
| Recommended carrier weight, max. ² | 1,5 - 2,7 t | 3310 - 5950 lb |
| Recommended Brokk machines | Brokk 110 / 120D | |
| Hydraulic connection | | |
| Connection pressure, min. | 16,5 MPa | 2393 psi |
| Connection pressure, max. | 25 MPa | 3626 psi |
| Oil flow, min. - max. | 25 - 100 l/min | 7 - 27 gal/min |
| Operating pressure | 47 MPa | 6817 psi |
| Power output | | |
| Crushing force, max. | 360 kN (37 t) | 81000 lbf |
| Cutting force, max. | 950 kN (97 t) | 214000 lbf |
| Cutting capacity, max. | 1x Ø 30 mm | 1 1/4 in |

¹ Without mounting plate

² Depending on carrier lifting capacity