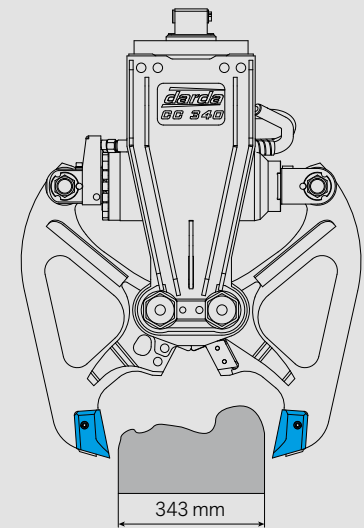


# CONCRETE CRUSHER CC340

Flyweight champion



Crusher with standard crushing tips

## Specifications | Concrete Crusher CC340

Dimensions and weight		
Length x Width x Height	877 x 715 x 334 mm	34 x 28 x 13 in
Jaw opening	343 mm	14 in
Weight <sup>1</sup>	150 kg	330 lb
Carriers		
Recommended carrier weight, max. <sup>2</sup>	1,5 - 2,7 t	3310 - 5950 lb
Recommended Brokk machines	Brokk 110 / 120D	
Hydraulic connection		
Connection pressure, min.	16,5 MPa	2393 psi
Connection pressure, max.	25 MPa	3626 psi
Oil flow, min. - max.	25 - 100 l/min	7 - 27 gal/min
Operating pressure	47 MPa	6817 psi
Power output		
Crushing force, max.	360 kN (37 t)	81000 lbf
Cutting force, max.	950 kN (97 t)	214000 lbf
Cutting capacity, max.	1x Ø 30 mm	1 1/4 in

<sup>1</sup> Without mounting plate    <sup>2</sup> Depending on carrier lifting capacity