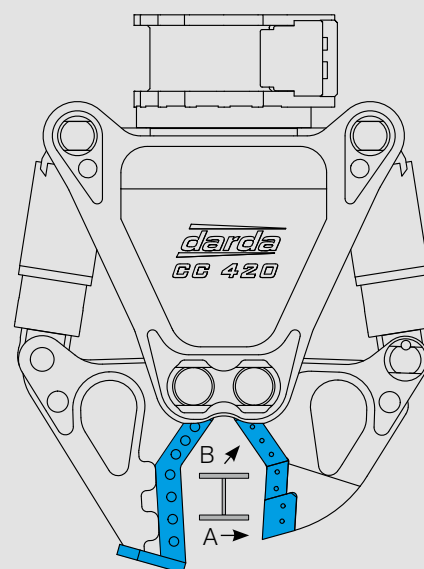


# STEEL SHEAR CC420 S

## Facts

- Extremely powerful even on small carriers
- Ideal for indoor use
- Exchangeable cutting heads
- Cutting power independent of carrier
- Large jaw opening for easy positioning
- Ideal for cutting large steel pipes
- 360° rotary drive for precise positioning of the shear



## Specifications | Steel Shear CC420 S

Dimensions and weights		
Length x Width x Height	1058 x 794 x 340 mm	42 x 31 x 13 in
Jaw opening	145 mm	6 in
Cutting depth, approx.	279 mm	11 in
Weight <sup>1</sup>	275 kg	610 lb
Carriers		
Recommended carrier weight, max. <sup>2</sup>	3 - 6 t	6610 - 13230 lb
Recommended Brokk machines	Brokk 200 / 300	
Hydraulic connection		
Connection pressure, min.	17.5 MPa (175 bar)	2538 psi
Connection pressure, max.	25 MPa (250 bar)	3626 psi
Oil flow, min. - max.	25 - 100 l/min	7 - 27 gal/min
Rotary drive connection pressure, max.	20 MPa (200 bar)	2901 psi
Rotary drive oil flow, max.	50 l/min	13 gal/min
Operating pressure	50 MPa (500 bar)	7252 psi
Power output		
Cutting force A, max.	401 kN (41 t)	90000 lbf
Cutting force B, max.	740 kN (75 t)	166000 lbf
Cutting capacity (selection of profiles)		
I	DIN 1025 - S235 - IPE 120	
U	DIN 1026 - S235 - U 140	
H	DIN 1025 - S235 - HEA 120	
L	EN 10056 - S235 - 150 x 100 x 10 mm   5.9 x 3.9 x 0.4 in	
□	EN 10219 - S235JRH - 139,4 x 8 mm   5.5 x 0.3 in	
Ordering information		
Article no. <sup>1</sup>	9033 0420 85	

<sup>1</sup> Without mounting plate

<sup>2</sup> Depending on carrier lifting capacity