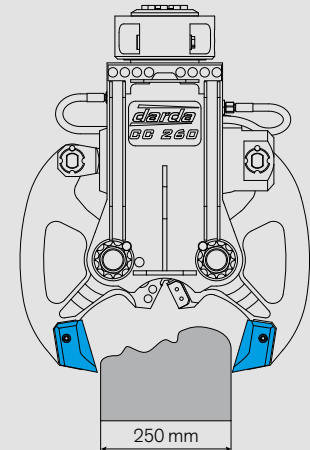


# CONCRETE CRUSHER CC260

Great power in a small size



Crusher with standard crushing tips

## Specifications | Concrete Crusher CC260

Dimensions and weight		
Length x Width x Height	700 x 550 x 200 mm	28 x 22 x 8 in
Jaw opening	250 mm	10 in
Weight <sup>1</sup>	74 kg	160 lb
Carriers		
Recommended carrier weight, max. <sup>2</sup>	1.2 t	2650 lb
Recommended Brokk machine	Brokk 70	
Hydraulic connection		
Connection pressure, min.	15.5 MPa (155 bar)	2248 psi
Connection pressure, max.	25 MPa (250 bar)	3626 psi
Oil flow, max.	30 l/min	8 gal/min
Operating pressure	50 MPa (500 bar)	7252 psi
Power output		
Crushing force, max.	220 kN (22 t)	49000 lbf
Cutting force, max.	420 kN (43 t)	94000 lbf
Cutting capacity, max.	1x Ø 16 mm	5/8 in
Ordering information		
Article no. <sup>1</sup>	9033 0262 80	

<sup>1</sup> Without mounting plate

<sup>2</sup> Depending on carrier lifting capacity